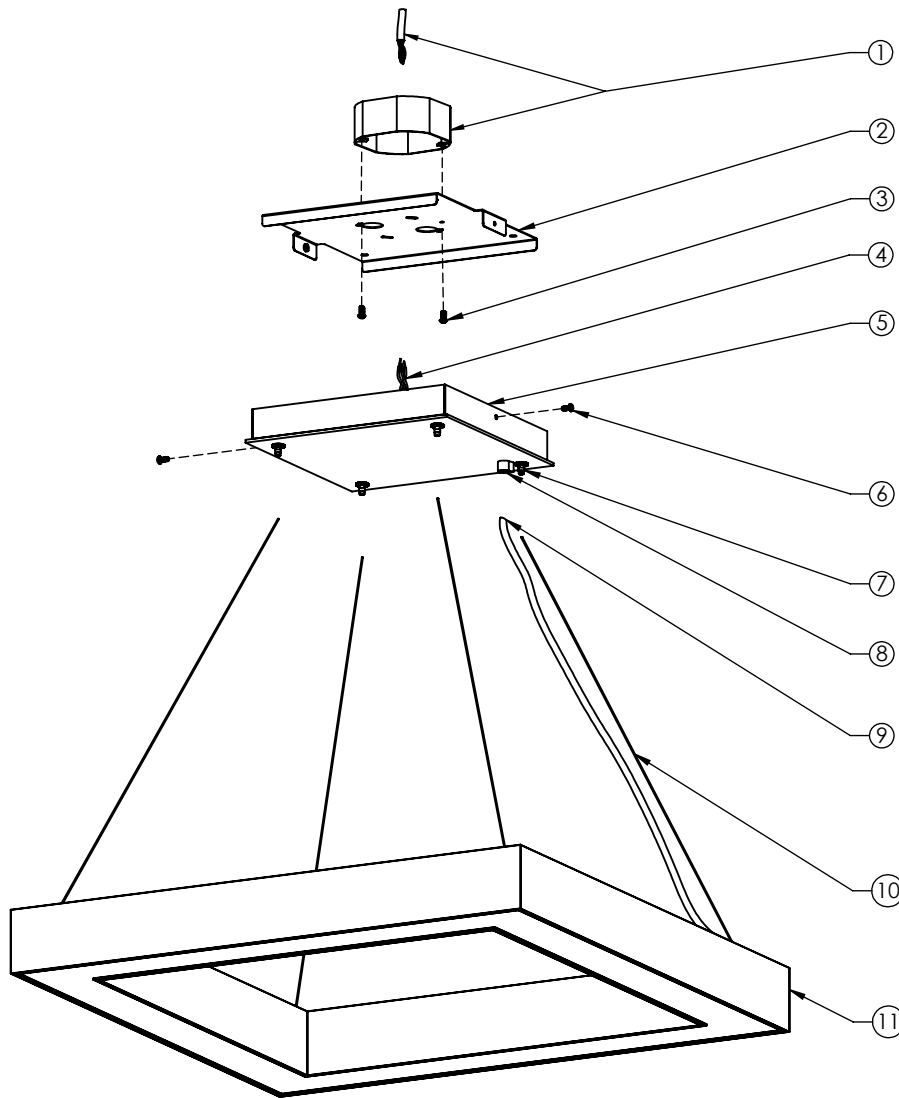
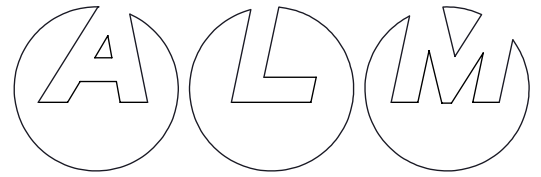


Frame 70

PENDANT - CENTER CANOPY - DRIVER IN CANOPY

INSTALLATION INSTRUCTIONS



NOTE:

Additional mounting hardware provided for installation where octagon box is not available.

1	4" Octagon box and power feed (by others)
2	Ceiling bracket
3	Mounting screws to octagon box 8-32 x 3/4" long, round head (by others)
4	Driver power wires
5	Canopy assembly (driver housing)
6	Canopy assembly mounting screws
7	Adjustable cable gripper
8	Power cord gripper
9	Flexible power cord
10	Stainless steel aircraft cable (x4)
11	Fixture assembly

INSTRUCTIONS:

1. Unscrew canopy assembly mounting screws and remove canopy assembly from ceiling bracket.
2. Bring the electrical power feed through the hole in the ceiling bracket and secure ceiling bracket to the standard 4" octagon box (screws by others). If octagon box is not available, secure ceiling bracket to the ceiling using additional mounting hardware provided.
3. Bring aircraft cables through the adjustable cable grippers mounted on the canopy assembly.
4. Bring the power cord through the power cord gripper and secure with set screw provided.
5. Splice the fixture and driver wires as required. Wires for connection are clearly labeled.
6. Splice the driver wires to the power feed as required.
7. Secure canopy assembly onto the ceiling bracket using screws provided.
8. Adjust height with adjustable aircraft cable grippers. Level the fixture.
9. Energize.

GENERAL NOTE:

- * Turn power off before beginning.
- * Do not connect to an ungrounded supply.
- * Consult a qualified electrician to ensure correct branch circuit conductor.
- * This product must be installed in accordance with the applicable installation code by a person familiar with the construction and operation of the product and the hazards involved.
- * Save these instructions.